
Technical sheet

M-X 50-4

Masted Forklift Trucks



1300 BROOKS (276 657)



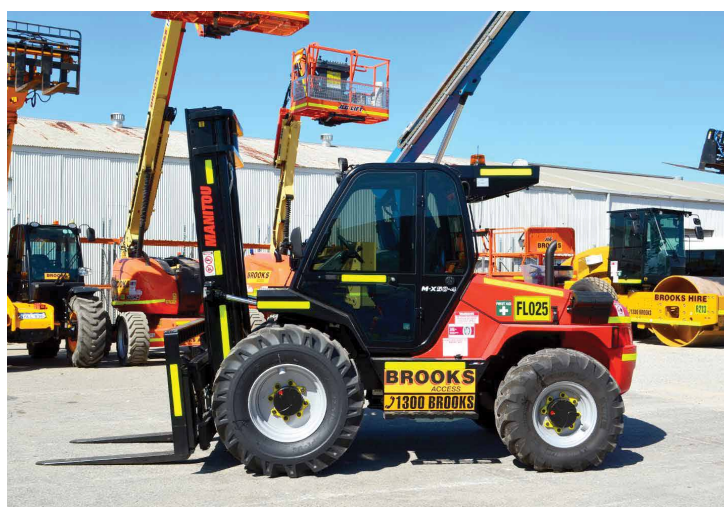
sales@brooksaccess.com.au

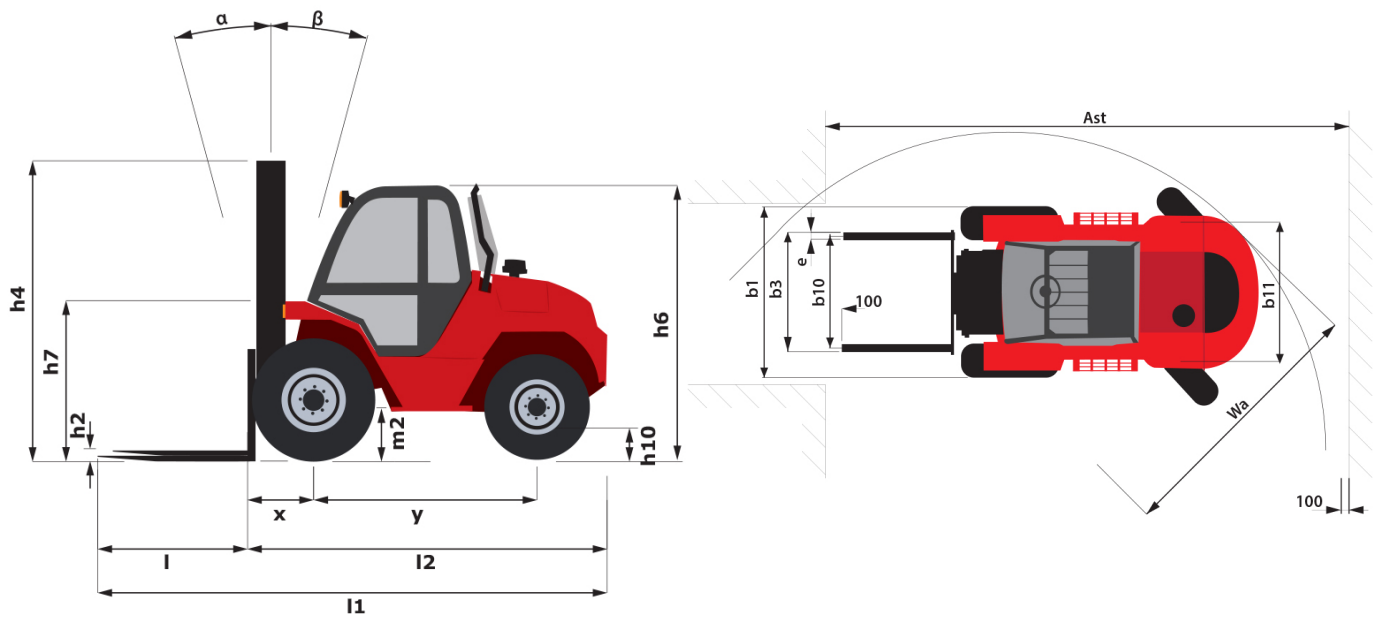


brooksaccess.com.au

BROOKS
ACCESS

Technical characteristics		Metric	Imperial
1.1	Manufacturer	Manitou	Manitou
1.2	Model	M-X 50-4	M-X 50-4
1.3	Type of traction	Diesel	Diesel
1.4	Type of operation	Seated	Seated
1.5	Q - Rated capacity	5000 kg	11000 lbs
1.6	c - Center of gravity of load	500 mm	2 in
1.9	y - Wheelbase	2120 mm	6 ft 12 in
Weight			
2.1	Weight of truck in working order	7660 kg	16852 lbs
Wheels			
3.1	Tyre equipment: bandage (V), PPS (SE), inflatable tyre (L)	L	L
3.2	Size of front wheels	18-22,5MPT06 16PRTL	-
3.5	Number of front wheels (x)	2x / 2	2x / 2
3.6	b10 - Front track	1.62 mm	5 in
Dimensions			
4.1	α / β - Front/Rear mast angle	15 ° / 15 °	15 ° / 15 °
4.2	h1 - Height (mast lowered)	2500 mm	8 ft 2 in
4.4	h3 - Lift height (Duplex mast)	3700 mm	12 ft 2 in
4.20	l2 - Length to fork heel	3750 mm	12 ft 5 in
4.21	b1 - Overall width - Single/twinned wheels	2100 mm / -	6 ft 1 in / -
4.22	e / s / l - Fork dimensions	1200 x 150 x 60	3.11 X 0.6 X 0.2
4.35	Wa - Turning radius	4160 mm	13 ft 10 in
Performances			
5.1	Speed of travel laden / unladen	24 km/h / -	14.90 mph / -
5.2	Lifting speed laden / unladen	- / 0.40 m/s	- / 1.40 ft/s
5.3	Lowering speed laden / unladen	- / 0.40 m/s	- / 1.40 ft/s
5.5	Nominal pulling force laden / unladen	10360 daN / -	23290 lbf / -
Engine			
7.1	Engine manufacturer / Type	Perkins / 3A	Perkins / 3A
7.2	Useful power	70 kW	70 kW
7.4	Number of pistons / Capacity	4 / 4400 cm ³	4 /
Miscellaneous			
8.2	Working hydraulic pressure for attachments	210 bar	3047 psi
8.3	Oil flow rate for attachments	85 l/min	22 gpm
8.4	Measured/guaranteed mean noise level at the ear of the operator	76 dB(A)	76 dB(A)





Characteristics of masts and residual capacities

Duplex Total Visibility		FVD30	DVT 33	FVD35	FVD37	FVD40	FVD45	FVD50
Lift height	mm	3060	3360	3560	3760	4060	4560	5060
Height (mast lowered)	mm	2560	2710	2810	2910	3060	3305	3560
Free lift	mm	0	0	0	0	0	0	0
Height of extended mast	mm	4115	4415	4615	4815	5115	5615	6115
Residual Capacity without attachment (Industrial load chart)	kg	5000	5000	5000	5000	5000	4500	4000
Residual Capacity with integrated side shift (Industrial load chart)	kg	4700	4700	4700	4700	4700	4050	3600

Triplex Free Lift		FLT37	FLT40	FLT43	FLT45	FLT47	FLT50	FLT55	FLT60
Lift height	mm	3760	4060	4360	4560	4760	5060	5560	6060
Height (mast lowered)	mm	2310	2410	2510	2585	2645	2760	2910	3085
Free lift	mm	1265	1365	1465	1540	1600	1715	1865	2040
Height of extended mast	mm	4805	5105	5405	5605	5806	6105	6605	7105
Residual Capacity without attachment (Industrial load chart)	kg	5000	5000	5000	5000	5000	3300	2400	2000
Residual Capacity with integrated side shift (Industrial load chart)	kg	4500	4500	4500	4500	4500	3000	2150	1800

