

Terrex Franna AT-22 Pick & Carry Crane

- ▶ **Maximum Capacity 25t**
- ▶ **Maximum Boom Length 18.4m**
- ▶ **Maximum Hook Height 18m**



KEY FEATURES AND BENEFITS

- 22 tonne at 1.4m radius
- 17m max. hook height
- Wide stance boom lift cylinders enhance operator's vision
- 1.7 tonne at 15.8m radius
- Single line pull 4.2 tonne
- Easy access to all key maintenance points
- 16.8 tonne capacity on 4 part hook block
- Dynamic LMI (Patent Protected)
- Modern cabin design ensures max. comfort for the operator

OVERVIEW

The AT 22 is a mid-sized, mobile pick and carry crane with a maximum lifting capacity of 22 tonne (24 USt). Boasting maximum safety features and superior capabilities than that of other pick and carry cranes in the field, the AT 22 is a logical choice for customers who cover a wide range of applications.



TECHNICAL DESCRIPTION

KEY FEATURES & BENEFITS	
22 tonne at 1.4m radius	
1.7 tonne at 15.8m radius	
17m max. hook height	
16.8 tonne capacity on 4 part hook block	
Single line pull 4.2 tonne	
Dynamic LMI (Patent Protected)	
Wide stance boom lift cylinders enhance operator's vision.	
Easy access to all key maintenance points	
Modern cabin design ensures max. comfort for the operator.	

BOOM	
Maximum boom length	17.9 m
Maximum hook height	17 m
Boom elevation angle range	-6° / 60°
Maximum hook height with jib	20 m
Articulation	40° R / 40° L
Machinery hook (rhino)	10 tonne

WINCH	
Maximum line pull	4.2 tonne
Two speed winch	38m/min 76m/min
Hook block (4 part)	16.8 tonne max. rated capacity

ENGINE & TRANSMISSION	
Standard engine	Mercedes OM 906
Engine power	205 kW
Engine torque	1100 Nm
Fuel Type	Diesel
Fuel Capacity	440 litre
Transmission	Allison 6 speed
Transfer case	ZF 2:1 Ratio

HYDRAULIC SYSTEM	
Axial piston pump	62cc/rev
Maximum pump flow rate	130 litre/min
Maximum working pressure	250 bar
Hydraulic tank capacity	200 litre

CHASSIS	
Front Axle	8,000 kg
Rear Axle	12,000 kg
Axle total	20,000 kg
Turning circle	7.4 m

BRAKES & SUSPENSION	
Brake System	Air operated drum brakes
Suspension	Two semi elliptic springs on front and rear axle plus torsion bar on front axle for stability

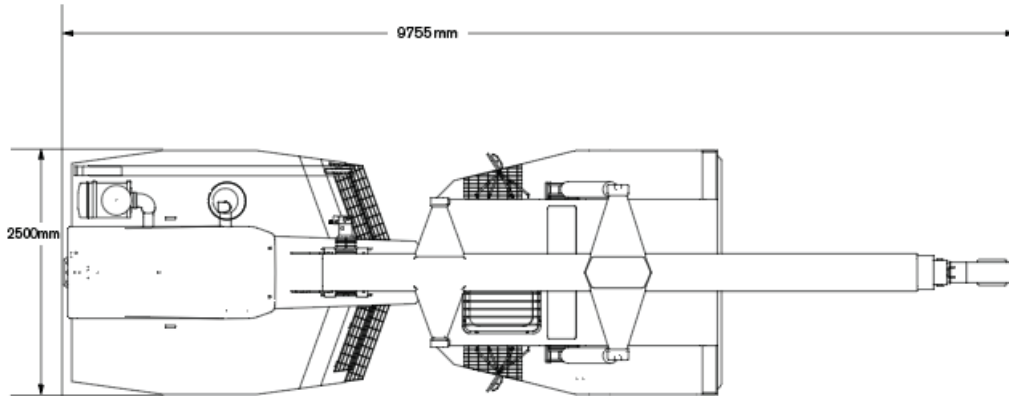
VEHICLE PERFORMANCE	
Maximum rated travel speed	80 km/h
Gradeability	50%

SPECIFICATIONS

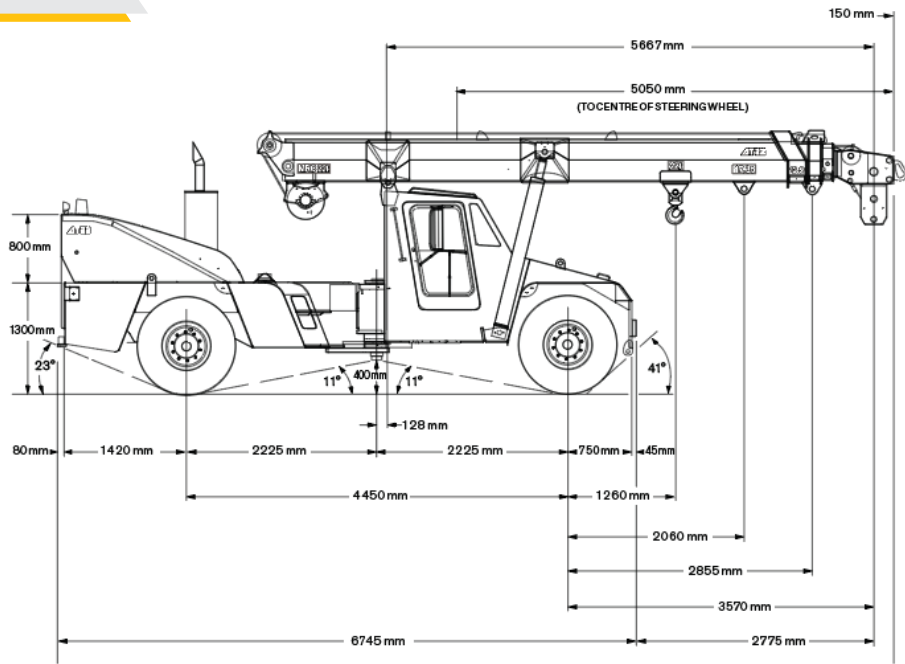
INCLUSIONS
15t spreader bar
Mine spec basic
Rego WA Assembly
Isolation battery and starter
Switch slimline
Auto greasing system
Light bonnet LED Duraray II
Window tinting
Jump start Anderson Assembly
Hook 26.5t swivel
Spreader bar mounting system
Boom light rotating
Handrail bolted rear body
Emergency stop switch ext cabin RHS
Guard fan and belts assembly
LMI signal lights
Park brake door alarm at crane
Reversing alarm 97 DB Squark
Cover seat canvas
Spare wheel with carrier assembly
Toolbox protective rubber flap

DIMENSIONS / AREA OF OPERATION

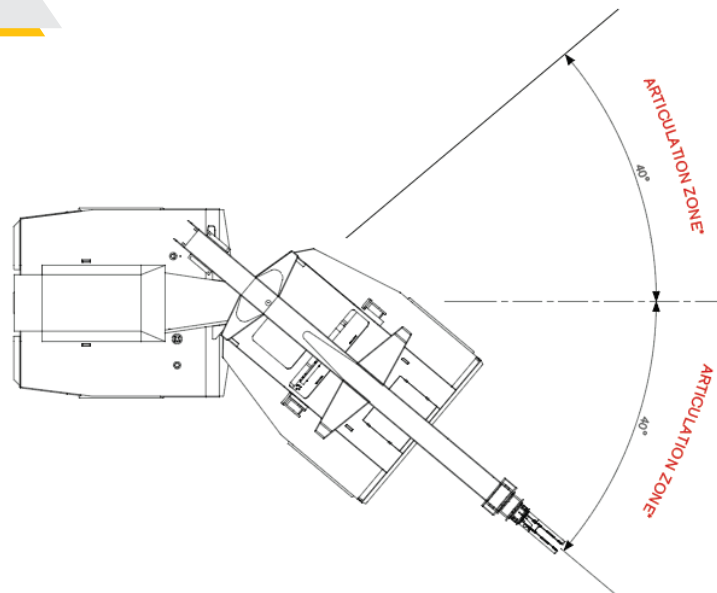
PLAN VIEW



RIGHT HAND VIEW



AREA OF OPERATION



LOAD CHART

RATED CAPACITY CHART - FALL BLOCK

RAD	BOOM LENGTH (m)								PITCH θ°				ROLL ϕ°						
	5.67	6.00	6.50	7.00	7.50	8.00	8.50	9.00	9.50	10.00	10.50	11.00	11.50	12.00	12.50	13.00	13.50	13.85	
m	kg	kg	kg	kg	kg	kg	kg	kg	kg	kg	kg	kg	kg	kg	kg	kg	kg	kg	
1.8	18800	16150	15350	14800															
	18800	16150	15350	14800															
	48	51	54	57															
2.0	18800	18800	16400	15600	15000	14600													
	18350	18350	16300	15600	15000	14600													
	42	46	50	53	56	58													
2.5	14800	14550	14550	14550	14500	14200	13700	13200											
	12900	12900	12900	12850	12850	12800	12800	12800											
	34	39	44	48	51	54	56	58											
3.0	12000	12000	12000	12000	11950	11950	11950	11950	11900	11500									
	10800	10800	10800	10800	10800	10800	10800	10800	10800	10800									
	25	31	37	42	46	49	52	55	57	59									
3.5	10150	10150	10150	10150	10150	10100	10100	10100	10100	10100	9450	8150							
	8900	8900	8900	8950	8950	8950	8950	8900	8900	8900	8900	8150							
	8	20	29	36	41	45	48	51	53	55	57	59							
4.0	8900	8900	8800	8750	8750	8750	8750	8750	8750	8700	8700	7800	7050	6800					
	8750	7950	7750	7750	7750	7700	7700	7700	7700	7700	7700	7600	7050	6800					
	(3.57)	(3.90)	19	26	35	39	43	47	49	52	54	56	57	59					
4.5			7900	7700	7700	7700	7700	7650	7650	7650	7650	7100	6800	6350	6100	5900			
			6900	6750	6750	6750	6750	6750	6750	6750	6750	6750	6750	6800	6350	6100	5900		
			(4.40)	18	27	34	38	42	45	48	50	52	54	56	58	59			
5.0				7000	6850	6850	6850	6800	6800	6800	6800	6800	6850	6200	5950	5700	5500	5350	5200
				6150	6000	6000	6000	6000	6000	6000	6000	6050	6050	6050	6050	5700	5500	5350	5200
				(4.90)	18	27	33	37	41	44	47	49	51	53	55	56	58	58	59
6.0					6200	6650	6550	6550	6500	6500	6500	6500	6500	6500	6300	6050	4900	4700	4600
					5500	4950	4850	4850	4850	4850	4850	4850	4850	4800	4800	4800	4800	4700	4600
					(5.40)	(5.90)	17	25	31	35	39	42	45	47	49	51	53	54	
7.0						5150	4700	4600	4600	4600	4600	4600	4600	4600	4550	4400	4250	4000	
						4500	4100	4000	4000	4000	4000	4000	4000	4000	4000	4000	4000	4000	
						(6.40)	(6.90)	16	24	29	34	37	40	43	45	47	48		
8.0							4300	4000	3900	3900	3900	3900	3900	3900	3850	3700	3600		
							3750	3450	3400	3400	3400	3400	3400	3400	3400	3400	3400		
							(7.40)	(7.90)	15	23	28	32	36	38	38	41	43		
9.0								3700	3400	3400	3400	3400	3400	3400	3400	3400	3400		
								3200	3050	2900	2900	2900	2900	2900	2900	2900	2900		
								(8.40)	(8.90)	15	22	27	31	34	34	36			
10.0									3200	3000	2950	2950	2950	2950	2950				
									2750	2600	2500	2500	2500	2500	2500				
									(9.40)	(9.90)	14	21	26	29	29				
11.0														2800	2800	2800	2800		
														2300	2150	2100	2100		
														(10.40)	(10.90)	13	18		
11.75																2450	2350		
																1950	1850		
																(11.40)	(11.75)		

KEY:

RC (kg) AT 0 DEG ARTICULATION

RC (kg) AT FULL ARTICULATION

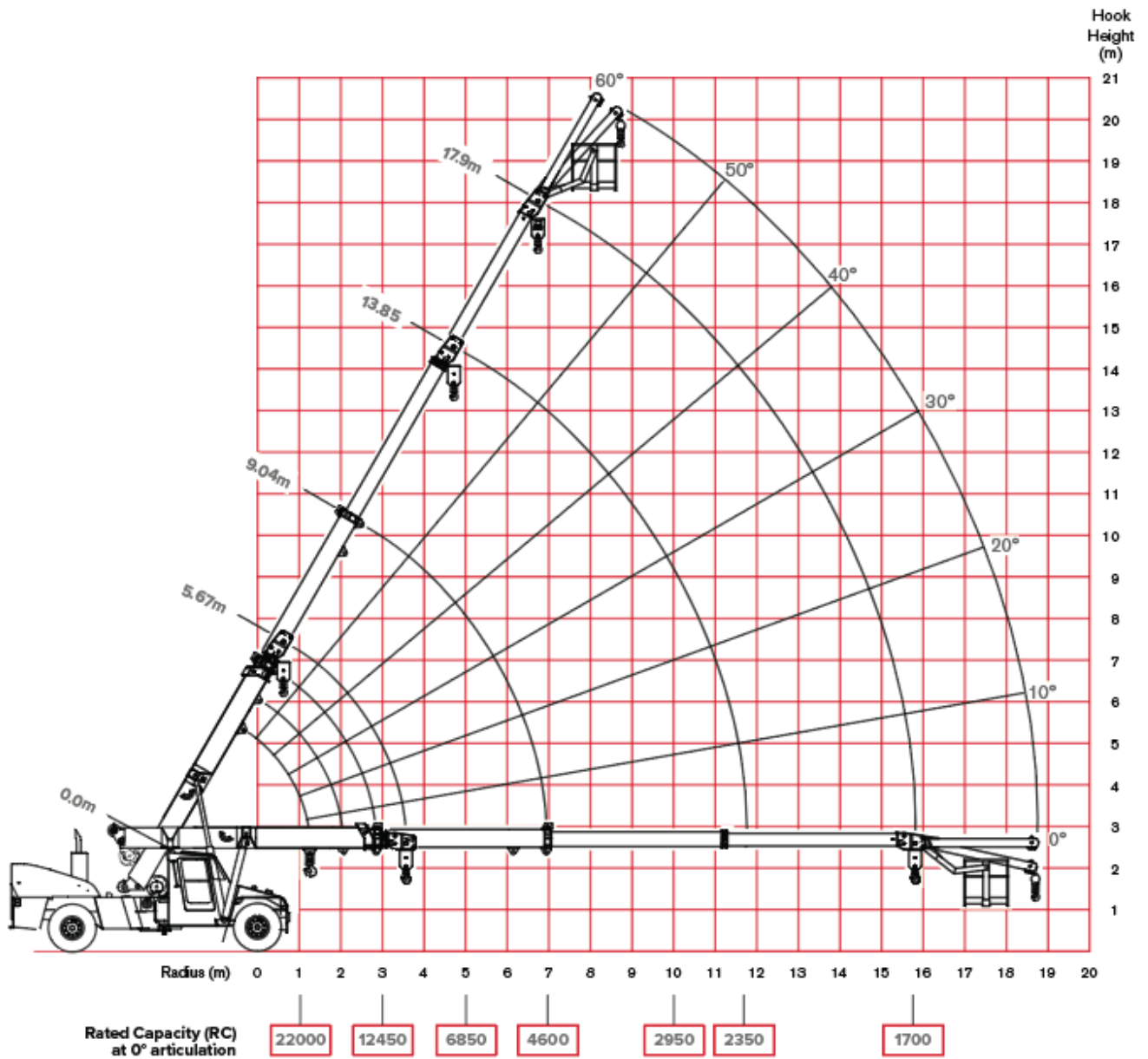
8 BOOM ANGLE

(3.57) RADIUS AT ZERO BOOM ANGLE

*Weight of slings & hook block to be added to load

Read and understand warning notes before operating crane*

RADIUS LOAD CHART



NOTE: Rated Capacity values shown are for the Pick and Carry Chart.



- ☎ 1300 BROOKS (276 657)
- ✉ sales@brooksaccess.com.au
- 🌐 brooksaccess.com.au

BROOKS
ACCESS