

PANORAMIC P60-10

- ▶ **Kubota Tier III Engine, 100Horsepower**
- ▶ **Proven Merlo winning performance** in a larger, more adept machine
- ▶ **Boom side shift and frame levelling** as standard
- ▶ **Ring of steel** for additional **stability and protection**

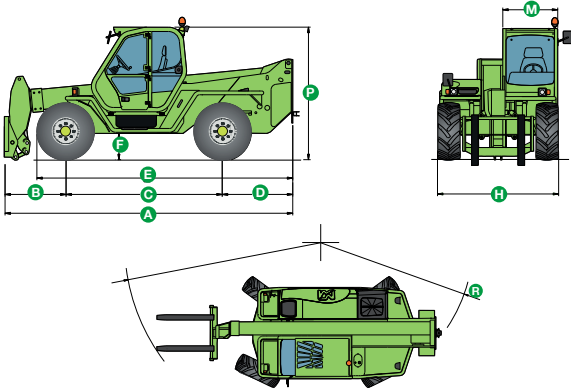


SINCE 1964

Merlo's larger and heavier range to match customers different needs



PANORAMIC P60.10



DIMENSIONS

| | |
|--------|-------|
| A (mm) | 5,345 |
| B (mm) | 1,235 |
| C (mm) | 2,875 |
| D (mm) | 1,300 |
| E (mm) | 4,645 |
| F (mm) | 480 |
| H (mm) | 2,330 |
| M (mm) | 995 |
| P (mm) | 2,440 |
| R (mm) | 3,950 |

PERFORMANCE

| | |
|---------------------------------|-------|
| Unladen Weight (kg) | 9,800 |
| Maximum Load Capacity (kg) | 6,000 |
| Maximum Lift Height (m) | 9.55 |
| Capacity at Maximum Height (kg) | 2,000 |
| Maximum Reach (m) | 5.3 |
| Capacity at Maximum Reach (kg) | 1,200 |
| Boom Side-Shift (mm) | ±250 |
| Frame Levelling (%) | ±10 |

STANDARD SPECIFICATIONS

Engine

| | |
|------------------------|-----------------------|
| Turbo Engine | Kubota V3800 Euro III |
| Range/Cylinders | 3800/4 |
| Engine Power (kW/HP) | 74/100 |
| Maximum Speed (km/h) | 40 |
| Fuel Tank Capacity (l) | 140 |

Transmission

| | |
|--------------------------------|-----|
| Hydrostatic Merlo Transmission | Std |
| Speeds | 2 |
| Dual Reverse Shuttle System | Std |
| Pedal Inching-Control | Std |
| Permanent Four-Wheel Drive | Std |

Brakes

| | |
|----------------------------------|-----|
| Automatic Parking Brake | Std |
| External Dry Disc Service Brakes | Std |

Tyres

| | |
|----------------|--------------|
| Standard Tyres | 445/65 R22.5 |
|----------------|--------------|

Cab

| | |
|---|-----|
| Air Conditioned Cabin | Std |
| Air Suspension Seat | Std |
| FOPS (ISO 3449) and ROPS (ISO 3471) Cab | Std |

Steering

| | |
|--------------------|-----|
| All Wheel Steering | Std |
|--------------------|-----|

Instruments

| | |
|------------------------------------|-----|
| Electromechanical Joystick Control | Std |
| Merlo Dynamic Load Control (M-CDC) | Std |
| Reversing Camera | Std |

Hydraulic System-Implement

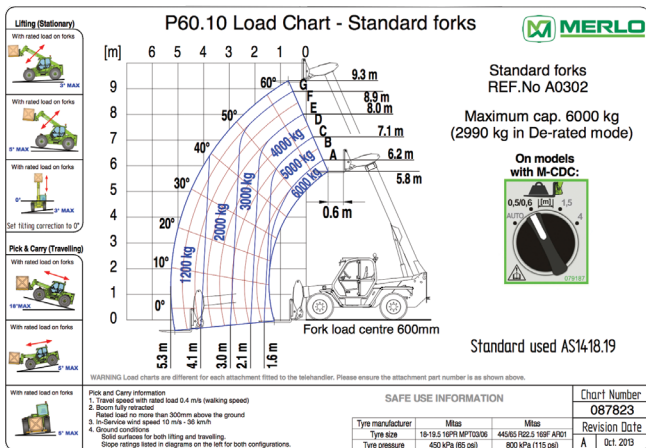
| | |
|---|---------|
| Load-Sensing Hydraulic System (bar-l/min) | 210/115 |
| Hydraulic Oil Tank Capacity (l) | 105 |
| Auxiliary Hydraulic Service on Boom | Std |

Accessories and Attachments

| | |
|-----------------------------|----------|
| Tac-Lock Attachment Locking | Std |
| Standard Forks | Std |
| Fork Extensions | Optional |
| Digging Bucket | Optional |
| Re-Handling Bucket | Optional |
| 4 x 1 Bucket | Optional |
| Crane Hook | Optional |
| Reduced Height Crane Jib | Optional |
| Fork Rotator | Optional |

EXTRA SPECIFICATIONS

| | |
|-----------------|-----|
| Boom Side Shift | Std |
| Frame Levelling | Std |



120-124 Toongabbie Road Girraween 2145 NSW Australia
For further information please call **1300 657 325** or visit merloaustralia.com.au

Merlo reserves the right to modify and update the contents of this document at any time. Information and technical data are as available at time of printing.

For current information on Merlo products please contact your Merlo dealer.

ABN 87116110751 **MER-P60.10-2018**