

# R1932

ELECTRIC SCISSOR LIFT

**JLG**  
reachingout®

## Performance

|                                |                |
|--------------------------------|----------------|
| Platform Height—Elevated       | 5.8 m          |
| Platform Capacity              | 230 kg         |
| Capacity on Platform Extension | 120 kg         |
| Lift/Lower Time                | 25/26 seconds  |
| Maximum Drive Height           | Fully Elevated |
| Weight*                        | 1,590 kg       |
| Drive Speed—Elevated           | 0.8 km/h       |
| Drive Speed—Lowered            | 3.2 km/h       |
| Gradeability                   | 25%            |
| Turning Radius (Inside)        | Zero           |
| Turning Radius (Outside)       | 1.60 m         |

\* Certain options or country standards will increase weight.

## Standard Specifications

### Power Source

|           |                              |
|-----------|------------------------------|
| Batteries | 4 x 6V 220 amp-hr            |
| Charger   | 20 amp (Universal Algorithm) |
| Drive     | Hydraulic Front-wheel        |

### Hydraulic Reservoir

|            |                         |
|------------|-------------------------|
| • Capacity | 17 L                    |
| • Pump     | Fixed Displacement Gear |

### Tires

|                                |              |
|--------------------------------|--------------|
| • Tire Size/Type (Non-Marking) | 323 x 100 mm |
|--------------------------------|--------------|

### Brakes

- Multi-Disc Friction

## Standard Features

- Proportional Controls
- Battery Condition Indicator
- All Motion Alarm
- 20 Amp Automatic SCR Charger
- Horn
- Hourmeter
- Tilt Alarm and Light
- Lanyard Attach Points
- Movable, Removable Platform Control
- Nickel Plated Pins
- Lubrication Free Scissor Arm Bushings
- Scissor Maintenance Prop
- Active Pothole Protection System
- Lifting and Tie Down Points
- Fork Lift Pockets
- 86 cm Foot-Actuated
- Deck Extension
- Steel Swing-Out Doors
- Variable Tilt Window
- Manual Descent Cable
- Diamond Tread Steel Deck
- Greaseless Kingpin Joints
- Analyzer Port for Diagnostics
- Dynamic Braking
- Flashing Amber Beacon
- Self-Closing, Self-Latching Gate



## Accessories & Options

- 220 Amp-Hour AGM Batteries
- MDI (Ground)
- Anti-Vandalism Package for Ground Controls and Platform Controls
- Ambient Noise Alarm
- AC Outlet To Platform incl. ELCB

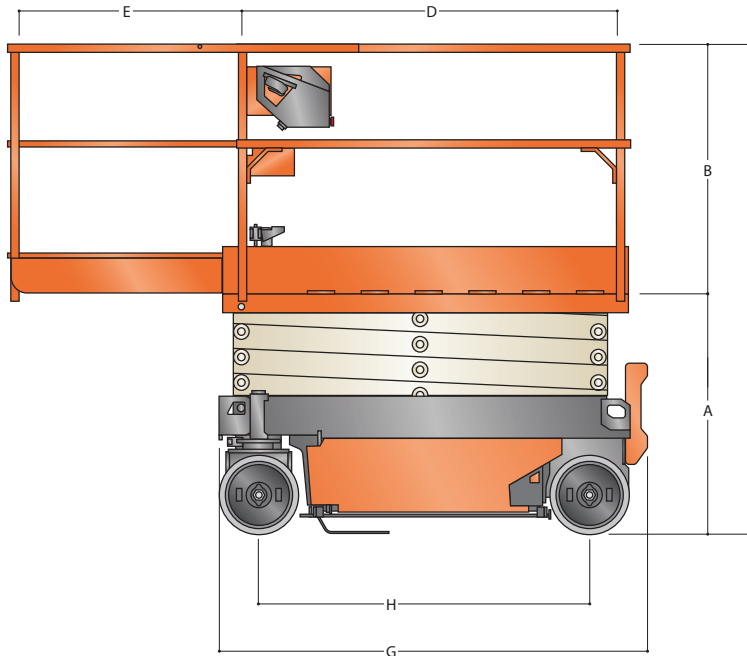
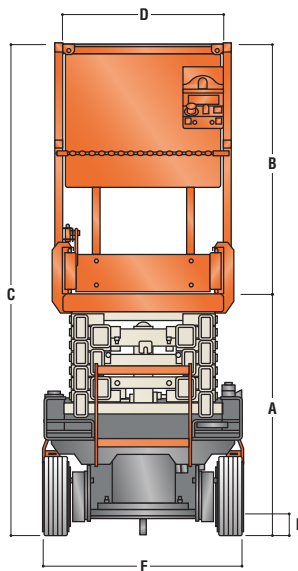
# R1932

ELECTRIC SCISSOR LIFT



## Dimensions

All dimensions are approximate.



|                            |                 |
|----------------------------|-----------------|
| A. Platform Height-Lowered | 0.98 m          |
| B. Platform Railing Height | 1.02 m          |
| C. Overall Height          | 2.00 m          |
| D. Platform Size           | 0.64 m x 1.59 m |
| E. Platform Extension      | 0.86 m          |

|                     |        |
|---------------------|--------|
| F. Overall Width    | 0.82 m |
| G. Overall Length   | 1.74 m |
| H. Wheelbase        | 1.34 m |
| I. Ground Clearance | 0.07 m |



**1300 BROOKS** (1300 276 657)  
@ sales@brooksaccess.com.au  
www.brooksaccess.com.au