

# S3215E/S3219E

## ELECTRIC SLAB SCISSOR LIFTS



- Self-propelled electric scissor lifts
- Compact & nimble
- Drives through a standard doorway
- Suitable for indoor and outdoor use
- Easy to use & maintain

 **snorkel**<sup>™</sup>  
[www.snorkellifts.com](http://www.snorkellifts.com)

# ELECTRIC SLAB SCISSOR LIFTS

# S3215E/S3219E

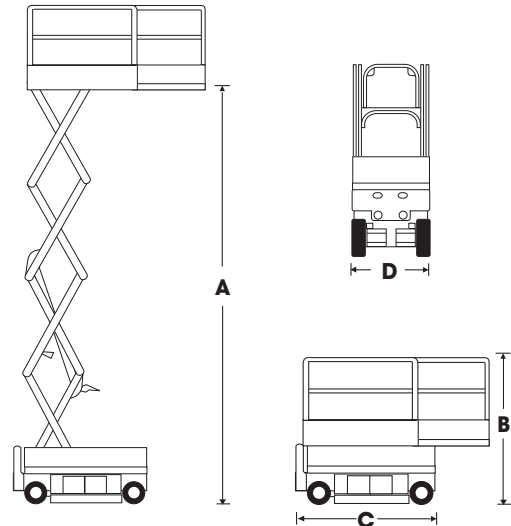
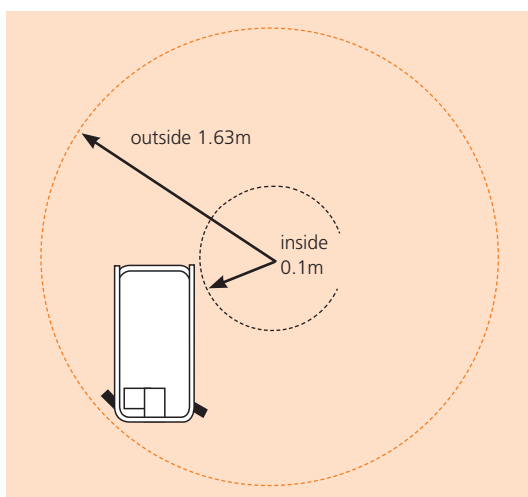
| DIMENSIONS                      | S3215E        | S3219E        |
|---------------------------------|---------------|---------------|
| Max. working height             | 6.6m          | 7.79m         |
| Max. platform height (A)        | 4.6m          | 5.79m         |
| Platform size (stowed)          | 0.72m x 1.62m | 0.72m x 1.62m |
| Platform size (extended)        | 0.72m x 2.53m | 0.72m x 2.53m |
| Extension deck length           | 0.91m         | 0.91m         |
| Overall length (with step) (C)  | 1.78m         | 1.78m         |
| Overall length (without step)   | 1.73m         | 1.73m         |
| Overall width (D)               | 0.81m         | 0.81m         |
| Stowed height (B)               | 2.02m         | 1965mm        |
| Min. height (guardrails folded) | 1.59m         | 1.65m         |
| Ground clearance (stowed)       | 66mm          | 66mm          |
| Ground clearance (elevated)     | 19mm          | 19mm          |

| PERFORMANCE                 |                           |           |
|-----------------------------|---------------------------|-----------|
| Platform capacity (SWL)     | 272kg                     | 250kg     |
| Max. drive height           | 4.6m                      | 5.79m     |
| Max. wind speed             | 12.5m/s                   | 12.5m/s   |
| Max. drive speed (stowed)   | 3.2km/h                   | 3.2km/h   |
| Max. drive speed (elevated) | 0.6km/h                   | 0.6km/h   |
| Raise/lower time            | 20/36 sec                 | 20/38 sec |
| Gradeability                | 25%                       | 25%       |
| Inside turning radius       | 0.1m                      | 0.1m      |
| Outside turning radius      | 1.63m                     | 1.63m     |
| Tires                       | 12 x 4 non-marking rubber |           |
| Controls                    | proportional              |           |
| Drive system                | 2 wheel drive             |           |

| POWER        |                         |  |
|--------------|-------------------------|--|
| Power source | 24V DC battery electric |  |
| Charger      | 90 - 240V, 25amp        |  |

| WEIGHT |         |         |
|--------|---------|---------|
| Weight | 1,227kg | 1,614kg |

## TURNING RADIUS



## STANDARD FEATURES

- Roll-out deck extension with dual locks
- Non-marking tyres
- Loading control pendant
- Swing-out service trays
- Saloon-door style entry gates
- Descent alarm
- All motion alarm
- 2 persons indoor
- 1 person outdoor
- Proportional controls, including descent
- Power line to platform
- Hour meter & onboard diagnostics display
- Integrated battery charger
- Battery condition indicator
- Crane & forklift points
- Dual lanyard attachments points
- Flashing amber light
- Scissor stack roller slide plates (set of 2)
- 2 year parts & labour, 5 year structural warranty
- CE approved

## OPTIONS

- Special paint colours
- Snorkel Guard™ secondary guarding system
- Environmental hydraulic oil
- Airline to platform
- Aircraft bumpguard package
- Panel carrier
- Pipe rack
- Top rail



☎ **1300 BROOKS** (1300 276 657)  
 @ sales@brooksaccess.com.au  
 🌐 [www.brooksaccess.com.au](http://www.brooksaccess.com.au)

