

Terrex Franna MAC 25 Articulated Crane

- ▶ Maximum Capacity 25t
- ▶ Maximum Boom Length 18.4m
- ▶ Maximum Hook Height 18m



KEY FEATURES AND BENEFITS

- 25 tonne at 1.4m radius
- 18m hook height
- Increased rated capacity of up to 30% with SL option
- 14.8 tonne at 3.0m radius
- Single line pull 4.2 tonne
- Easy access to all key maintenance points
- 1.8 tonne at 15.7m radius
- Dynamic LMI (Patent Protected)
- Unique boom head design allows for maximum clearance

OVERVIEW

The MAC 25 is a mobile articulated crane with a maximum lifting capacity of 25 tonne (27 USt). The MAC 25 offers maximum safety, excellent roadability, intuitive operation and unmatched versatility. Over the years its design has been tried, tested and proven in a range of difficult lifting applications and is still a customer favourite today. A superlift (SL) upgrade is also available on the MAC 25 as an additional option. The SL kit works in tandem with the existing MAC 25 counterweight, adding a low slung additional counterweight piece to the rear of the machine, increasing the rated capacity of the machine.



TECHNICAL DESCRIPTION

BOOM	
Maximum boom length	18.4 m
Maximum hook height	18 m
Boom elevation angle range	-10° / 65°
Maximum hook height with jib	20.5 m
Articulation	40° R / 40° L
Machinery hook	15 tonne

WINCH	
Maximum line pull	4.2 tonne
Two speed winch	38m/min 76m/min
Hook block	25 tonne maximum rated capacity

ENGINE & TRANSMISSION	
Standard engine	Mercedes OM 906
Engine power	205 kW
Engine torque	1100 Nm
Fuel Type	Diesel
Fuel Capacity	440 litre
Transmission	Allison 6 speed
Transfer case	ZF 2:1 Ratio

HYDRAULIC SYSTEM	
Axial piston pump	62cc/rev
Maximum pump flow rate	130 litre/min
Maximum working pressure	250 bar
Hydraulic tank capacity	380 litre

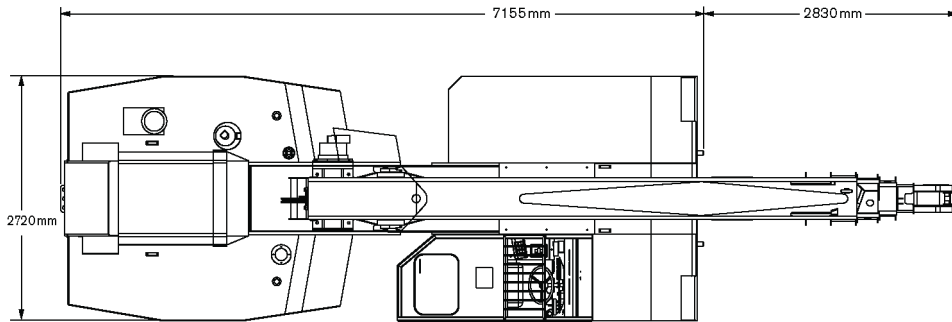
CHASSIS	
Front Axle	11,900 kg
Rear Axle	12,000 kg
Axle total	23,900 kg
Turning circle	7.9 m

BRAKES & SUSPENSION	
Brake System	Air operated drum brakes
Suspension	Elliptic springs with hydraulic spring lockouts on front axle

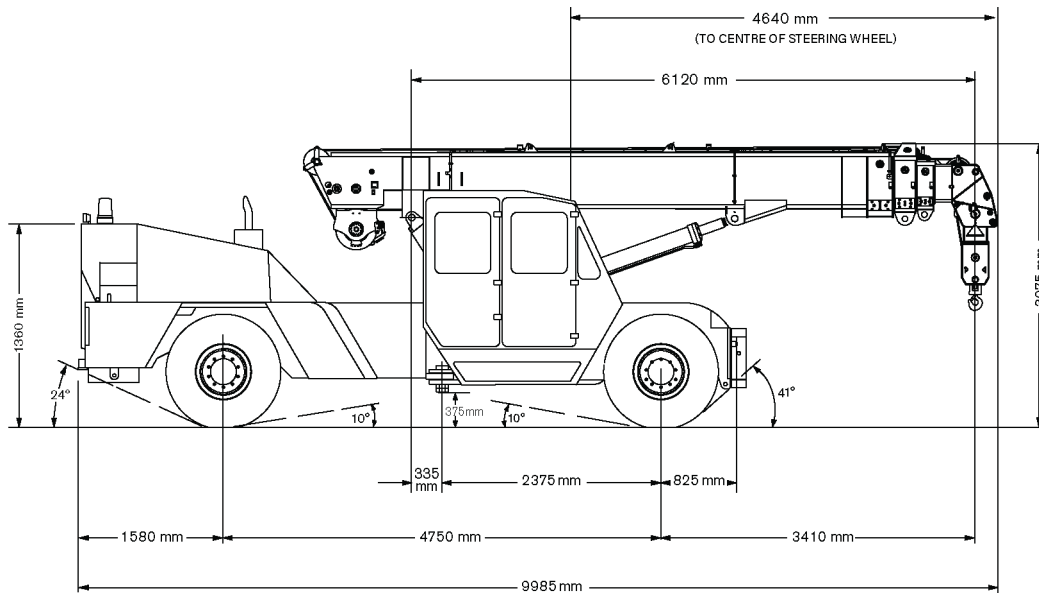
VEHICLE PERFORMANCE	
Maximum rated travel speed	80 km/h
Gradeability	45%

DIMENSIONS / AREA OF OPERATION

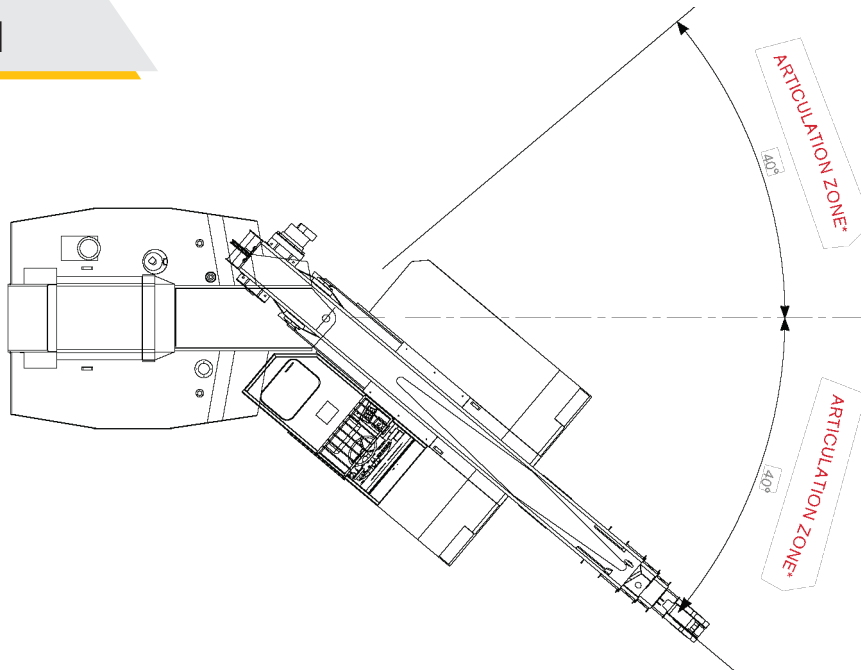
PLAN VIEW



RIGHT HAND VIEW

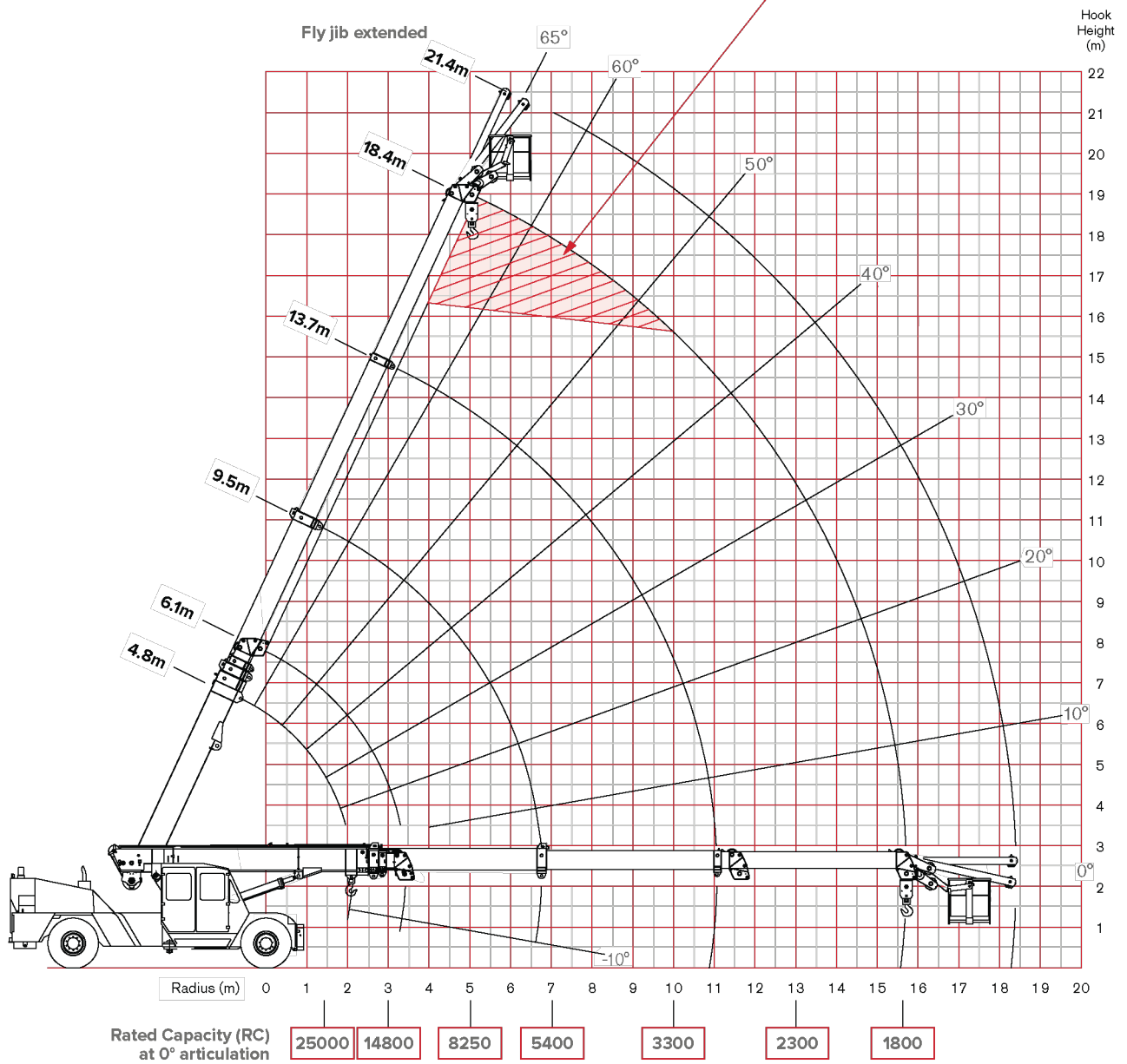


AREA OF OPERATION

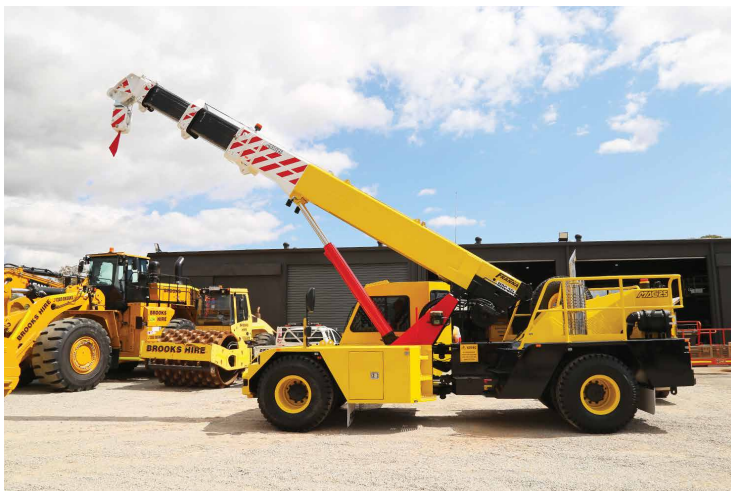


RADIUS LOAD CHART

Hook will not reach ground when boom head is in the region if the hook block is reeved on 6 parts.



NOTE: Rated Capacity values shown are for the Pick and Carry Chart.





1300 BROOKS (276 657)



sales@brooksaccess.com.au



brooksaccess.com.au

BROOKS
ACCESS